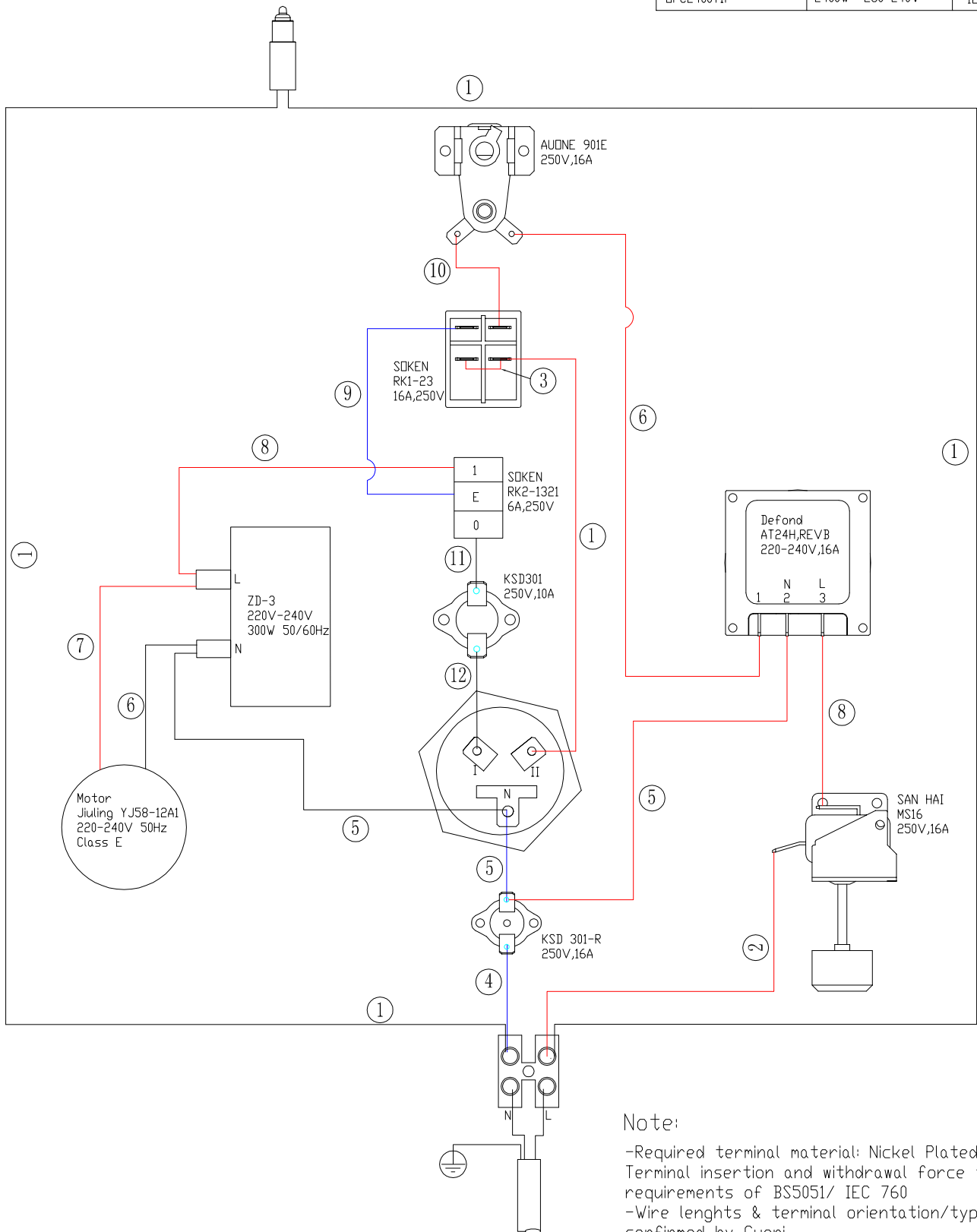


MODEL	RATING	ELEMENT SPLIT	
DFC2400TIF	2400W 230-240V	II	I
		1200w	1200w



Note:

- Required terminal material: Nickel Plated Steel Terminal insertion and withdrawal force to meet requirements of BS5051/ IEC 760
- Wire lengths & terminal orientation/type to be confirmed by Cuori

ISSUE	MODIFICATIONS	APP'D	DATE	NOTES	GLEN DIMPLEX RESEARCH & DEVELOPMENT				THIS DRAWING IS SUPPLIED IN CONFIDENCE AND THE COPYRIGHT THEREOF IS THE PROPERTY OF GLEN DIMPLEX. IT MUST NOT BE USED BY A THIRD PARTY WITHOUT PRIOR PERMISSION. ©2006	
A	RELEASE FOR SAMPLING	DF	18/11/08	All wires to be 1.5mm ² Neon function: operating Tolerance on all wire lengths +/-5mm	Dunleer, Co.Louth, Ireland. Tel: 041 9800204. Fax: 041 6851464.				PROJECT Oil Column-Dimplex GDA	
					DRAWN BY DF	DATE 18/11/08	SCALE	HOLE TOL +/-0.05	GEN TOL 0 +/-0.4	TITLE WIRING DIAGRAM
					APP'D BY	DATE	DIM IN mm	ANGLES +/-0.5'	0,0 +/-0.2	0,00+/-0,1
				DO NOT SCALE	THIRD ANGLE PROJECTION		R.o.H.S.			DRG NO 0/11580/0
				IF IN DOUBT ASK	All material must comply with the requirements of European Directive 2002/95/EC on the restriction of the use of certain hazardous substances.					Sh 1 of 1